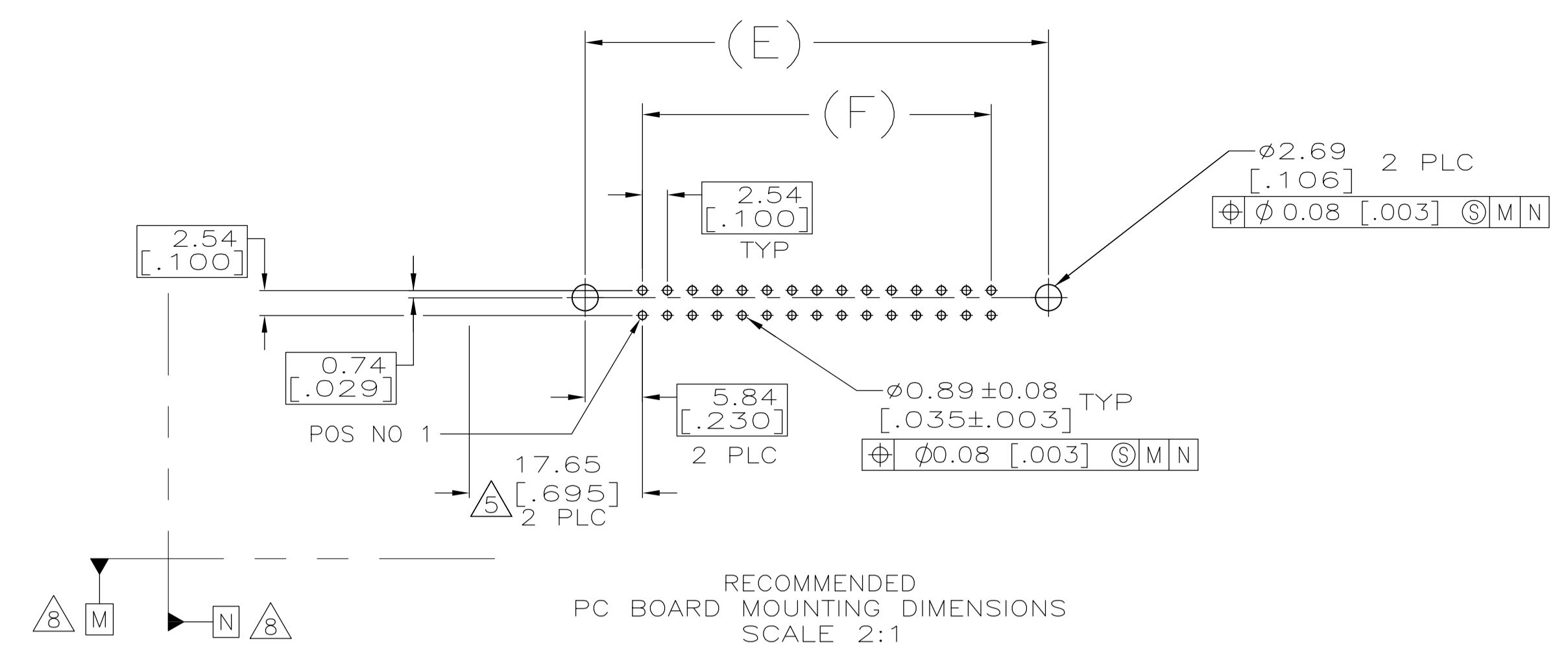
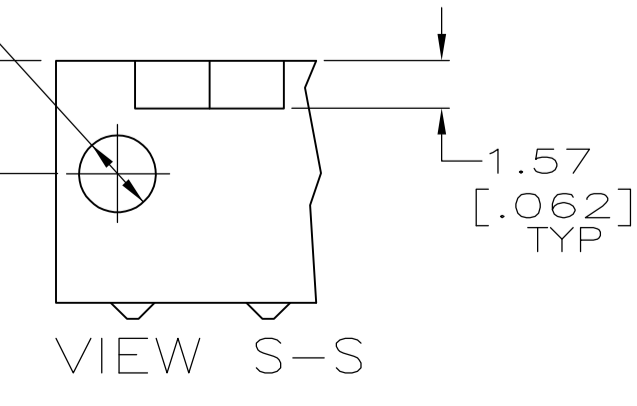
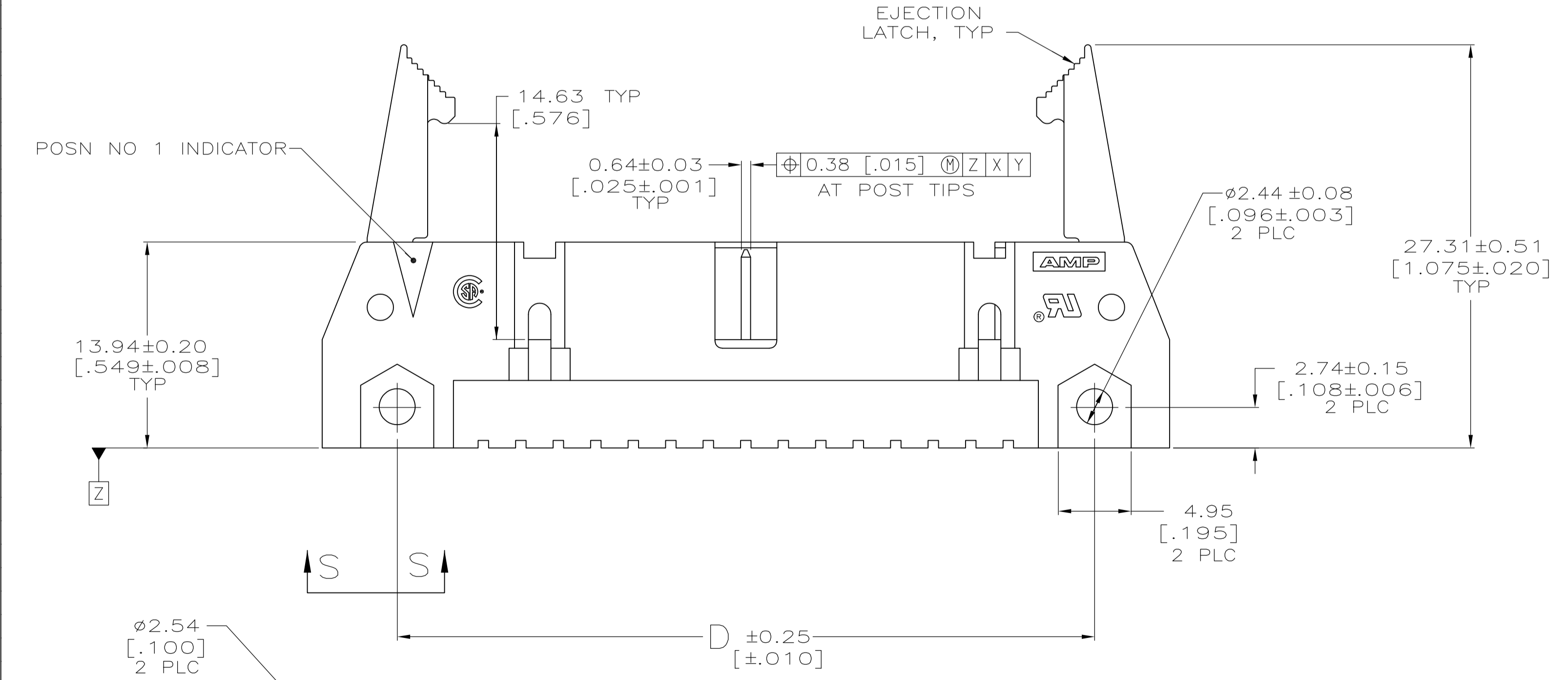
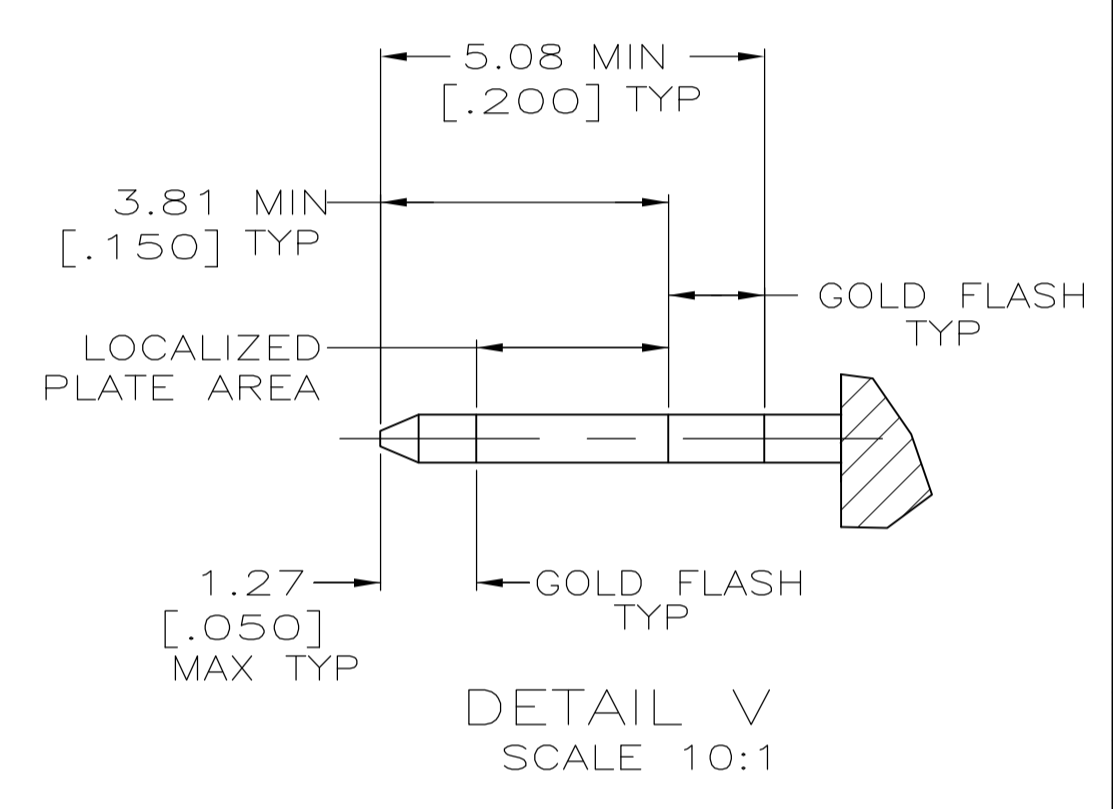
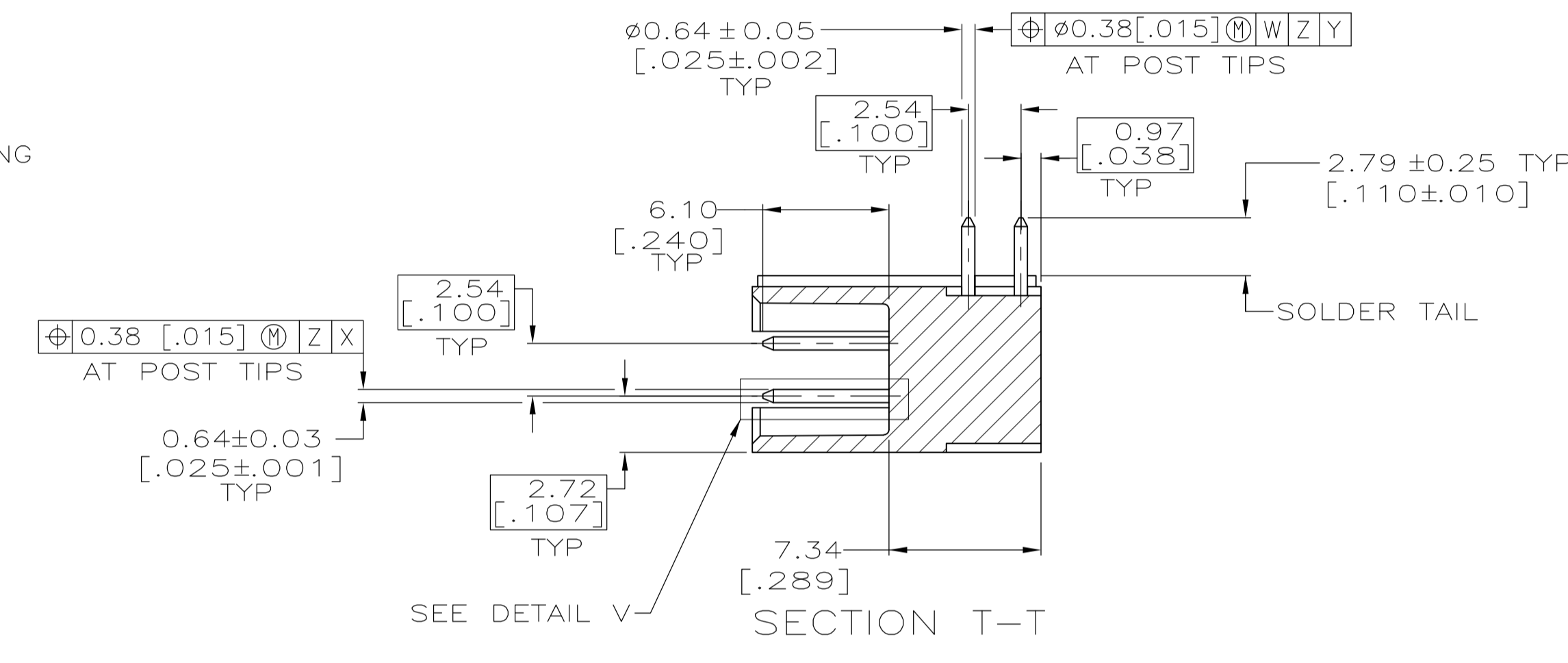
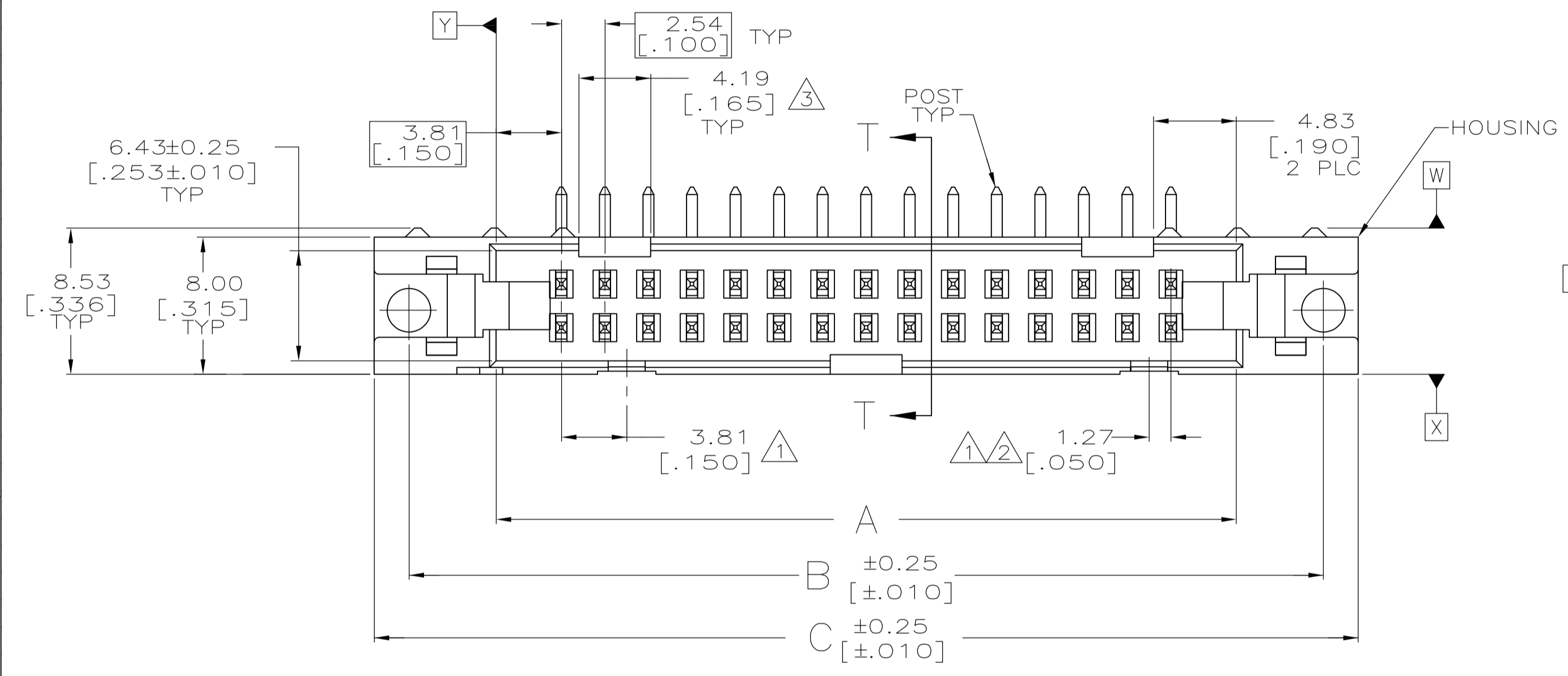


LOC		DIST		REVISIONS			
F	LTR	DESCRIPTION	DATE	DMN	APVD		
F1		REVISED PER ECO-11-004835	11MAR11	RK	HMR		



EJECTION LATCHES OMITTED IN THIS VIEW FOR CLARITY



SEE SHEET 2 FOR TABLE & NOTES

THIS DRAWING IS A CONTROLLED DOCUMENT.		DIN L VARELA - DOCKS 01-07-05		STE TE Connectivity	
DIMENSIONS: mm [INCHES]		TOLERANCES UNLESS OTHERWISE SPECIFIED:		APVD S BOLASH 01-07-05	
0 PLC ± -		1 PLC ± -		NAME M WALMSLEY	
2 PLC ± 0.13[.005]		3 PLC ± -		PRODUCT SPEC 108-40018	
4 PLC ± -		ANGLES ± -		APPLICATION SPEC	
MATERIAL 6		FINISH 7		SIZE A1	
				CAGE CODE 00779	
				DRAWING NO 5499141	
				RESTRICTED TO	
				CUSTOMER DRAWING	
				SCALE 4:1 SHEET 1 OF 2 REV F1	

- ① COORDINATE DIMENSION APPLIES FROM BASIC LOCATION.
- ② 10 AND 14 POSITION SIZES CONTAIN ONLY ONE SLOT FOR SNAP-IN POLARIZER (MILITARY POLARIZATION) LOCATED AS SHOWN.
- ③ 10 POSITION SIZES CONTAIN ONLY ONE SLOT FOR DUAL POLARIZATION, LOCATED AS SHOWN.
- 4. RECOMMENDED PRINTED CIRCUIT BOARD THICKNESS IS 1.57 [.062].
- ⑤ DISTANCE REQUIRED BY EJECTION LATCHES IN THE OPEN POSITION.
- ⑥ HOUSING & LATCHES: GLASS FILLED NYLON OR POLYESTER, UL94V-0 RATED, SEE TABLE FOR COLOR. POSTS: BRASS.
- ⑦ POSTS: GOLD FLASH OVER PALLADIUM-NICKEL PLATE, 0.76 μ m[.000030] MIN TOTAL ON THE LOCALIZED PLATE AREA, 2.54 μ m[.000100] MIN TIN PLATE ON THE SOLDER-TAIL, 1.27 μ m[.000050] MIN NICKEL UNDERPLATE ON THE ENTIRE POST.
-OR-
0.76 μ m[.000030] MIN GOLD PLATE ON THE LOCALIZED PLATE AREA, 2.54 μ m[.000100] MIN TIN PLATE ON THE SOLDER-TAIL, 1.27 μ m[.000050] MIN NICKEL UNDERPLATE ON THE ENTIRE POST.
- ⑧ DATUMS M & N TO BE ESTABLISHED BY CUSTOMER.

	BLUE	53.34 [2.100]	65.02 [2.560]	65.02 [2.560]	75.18 [2.960]	71.12 [2.800]	60.96 [2.400]	44	3-5499141-3
	BLUE	78.74 [3.100]	90.42 [3.560]	90.42 [3.560]	100.58 [3.960]	96.52 [3.800]	86.36 [3.400]	64	3-5499141-2
OBSOLETE	BLUE	73.66 [2.900]	85.34 [3.360]	85.34 [3.360]	95.50 [3.760]	91.44 [3.600]	81.28 [3.200]	60	3-5499141-1
	BLUE	60.96 [2.400]	72.64 [2.860]	72.64 [2.860]	82.80 [3.260]	78.74 [3.100]	68.58 [2.700]	50	3-5499141-0
OBSOLETE	BLUE	48.26 [1.900]	59.94 [2.360]	59.94 [2.360]	70.10 [2.760]	66.04 [2.600]	55.88 [2.200]	40	2-5499141-9
	BLUE	40.64 [1.600]	52.32 [2.060]	52.32 [2.060]	62.48 [2.460]	58.42 [2.300]	48.26 [1.900]	34	2-5499141-8
	BLUE	30.48 [1.200]	42.16 [1.660]	42.16 [1.660]	52.32 [2.060]	48.26 [1.900]	38.10 [1.500]	26	2-5499141-6
	BLUE	22.86 [.900]	34.54 [1.360]	34.54 [1.360]	44.70 [1.760]	40.64 [1.600]	30.48 [1.200]	20	2-5499141-4
	BLUE	17.78 [.700]	29.46 [1.160]	29.46 [1.160]	39.62 [1.560]	35.56 [1.400]	25.40 [1.000]	16	2-5499141-3
	BLUE	15.24 [.600]	26.92 [1.060]	26.92 [1.060]	37.08 [1.460]	33.02 [1.300]	22.86 [.900]	14	2-5499141-2
	BLUE	10.16 [.400]	21.84 [.860]	21.84 [.860]	32.00 [1.260]	27.94 [1.100]	17.78 [.700]	10	2-5499141-1
	BLACK	78.74 [3.100]	90.42 [3.560]	90.42 [3.560]	100.58 [3.960]	96.52 [3.800]	86.36 [3.400]	64	1-5499141-2
	BLACK	73.66 [2.900]	85.34 [3.360]	85.34 [3.360]	95.50 [3.760]	91.44 [3.600]	81.28 [3.200]	60	1-5499141-1
	BLACK	60.96 [2.400]	72.64 [2.860]	72.64 [2.860]	82.80 [3.260]	78.74 [3.100]	68.58 [2.700]	50	1-5499141-0
	BLACK	48.26 [1.900]	59.94 [2.360]	59.94 [2.360]	70.10 [2.760]	66.04 [2.600]	55.88 [2.200]	40	5499141-9
	BLACK	40.64 [1.600]	52.32 [2.060]	52.32 [2.060]	62.48 [2.460]	58.42 [2.300]	48.26 [1.900]	34	5499141-8
	BLACK	35.56 [1.400]	47.24 [1.860]	47.24 [1.860]	57.40 [2.260]	53.34 [2.100]	43.18 [1.700]	30	5499141-7
	BLACK	30.48 [1.200]	42.16 [1.660]	42.16 [1.660]	52.32 [2.060]	48.26 [1.900]	38.10 [1.500]	26	5499141-6
	BLACK	27.94 [1.100]	39.62 [1.560]	39.62 [1.560]	49.78 [1.960]	45.72 [1.800]	35.56 [1.400]	24	5499141-5
	BLACK	22.86 [.900]	34.54 [1.360]	34.54 [1.360]	44.70 [1.760]	40.64 [1.600]	30.48 [1.200]	20	5499141-4
	BLACK	17.78 [.700]	29.46 [1.160]	29.46 [1.160]	39.62 [1.560]	35.56 [1.400]	25.40 [1.000]	16	5499141-3
	BLACK	15.24 [.600]	26.92 [1.060]	26.92 [1.060]	37.08 [1.460]	33.02 [1.300]	22.86 [.900]	14	5499141-2
	BLACK	10.16 [.400]	21.84 [.860]	21.84 [.860]	32.00 [1.260]	27.94 [1.100]	17.78 [.700]	10	5499141-1
HOUSING AND LATCHES COLOR		F	E	D	C	B	A	NO OF POSN	PART NUMBER

THIS DRAWING IS A CONTROLLED DOCUMENT.		DIN L VARELA - DOCKS 01-07-05		TE Connectivity	
DIMENSIONS: INCHES		TOLERANCES UNLESS OTHERWISE SPECIFIED:			
0 PLC ± - 1 PLC ± - 2 PLC ± 0.13[.005] 3 PLC ± - 4 PLC ± - ANGLES ± -		APVD M WALMSLEY 01-07-05 NAME PRODUCT SPEC 108-40018 APPLICATION SPEC		HEADER ASSY, UNIVERSAL, AMP-LATCH	
MATERIAL SEE SHEET 1		FINISH SEE SHEET 1		SIZE CAGE CODE DRAWING NO RESTRICTED TO A1 00779 5499141	
CUSTOMER DRAWING				SCALE 1:1 SHEET 2 OF 2 REV F1	